

# AIR HOSE REEL SPECIFICATION

**Model:** HR-608,HR-610,HR-808

## Operation Instruction:

It can be fixed on the wall and floor,not limited by spring-loaded reel with spring lock which can be disengaed if required.

MODEL	HR-608	HR-610	HR-808
HOSE SIZE	6.5mm×10.0mm	6.5mm×10.0mm	8.0mm×12.0mm
INLET HOSE LENGTH	0.5m	0.5m	0.5m
OUTLET HOSE LENGTH	7.5m	9.5m	7.5m
HOSE MATERIAL	POLYURETHANE BRAID HOSE		
WORKING PRESSURE	12kg/cm <sup>2</sup> (170 PSI)		
BREAK PRESSURE	24kg/cm <sup>2</sup> (342 PSI)		
AIR INLET	1/4"PT		
INSTALLATION METHOD	HANDING, WALL, FLOOR		
PACKING SIZE	6PCS/18.0kg/19.0kg/3.3"		

## Characteristic:

- 1.Close version.
- 2.Automatic hose reel.Ratchet or free-running operation.
- 3.High quality special PPmaterial durable construction,lighweight and corrosion resistant design.
- 4.Suplied with wall/ceiling mounting brackets.

## Installation:

- 1.Place bracket on a flat mounting surface.With a pencil trace bracket mounting hose onto surface. Use a leveling device to ensure that the bracket will ve level once fastened.
- 2.Place Plastic Wsahers(3) over mounting bracket posts located at the back of Reel(1)(Fig.1)
- 3.Position Mounting Bracket(2) so that the pivot holes fit over the posts.
- 4.Place Metal Washer(4) onto posts.
- 5.Fasten Reel to Mounting Bracket by threading the Bolts(5) into the posts.

## CAUTION:

**Do not pull hoses completely out from the reel.**  
**Do retract hoses back onto the reel by section to protect the Drive Spring.**

## Warning:

- 1.Do not exceed 300psi working pressure.
- 2.Do not kink,twist,knot or abrade hose.
- 3.Do not wrap hose around body keep hose away from hot surface and/or chemicals.
- 4.Non-specialists are not allowed to disassemble the reel to avoid possible injury.

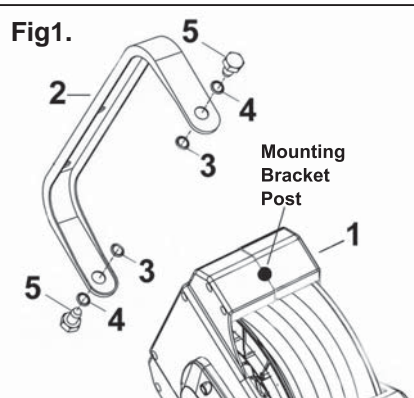
## MOUNTING OPTIONS:

### Mounting to wall

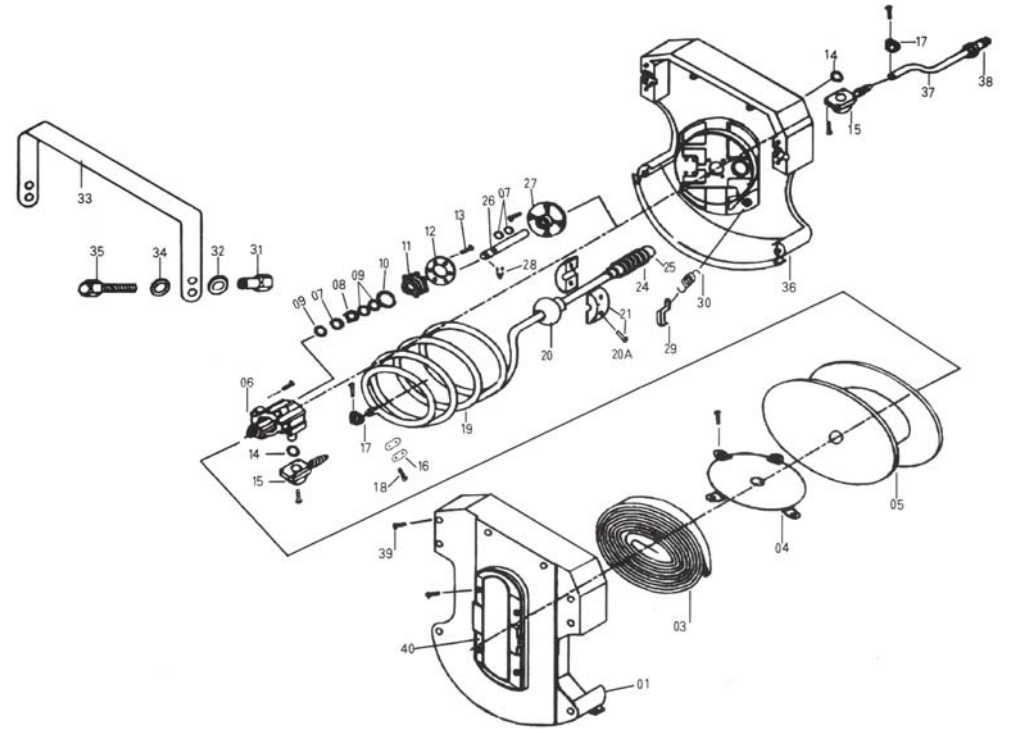
Recommended height(1.5m to 2.5m)

### Mounting overhead

Recommended ceiling height(2.5m to 3.0m)



## PARTS PICTURE



## PARTS LIST

No	DESCRIPTION	QTY	No	DESCRIPTION	QTY
01	left cover	1	20A	clip	2
03	spring	1	21	screw	2
04	spring cover	1	24	rubber sleeve	1
05	seat	1	25	connector	2
06	axle	1	26	axle	1
07	spacer	3	27	seat	1
08	collar	1	28	collar	1
09	O ring	3	29	pawl	1
10	O ring	1	30	spring	1
11	cover	1	31	connetor	2
12	spacer	1	32	spacer	2
13	screw	6	33	shelf	1
14	O ring	2	34	spacer	2
15	connector	2	35	screw	2
16	clip	1	36	right cover	1
17	clip	2	37	inlet pipe	1
18	screw	6	38	connector	1
19	air pipe	1	39	screw	8
20	rubber ball	1	40	cover	2