

RETRACTABLE AIR HOSE REEL INSTRUCTIONS

CAUTION: Read all instructions and warnings before operating !

Specifications:

Hose Size	3/8in x30ft.
Air Inlet(Outlet)	1/4" NPT(M)
Hose Type	PVC
Max. Working Pressure	300PSI
Working Temperature	-20°C~70°C

Characteristic:

1. Close version.
2. Automatic hose reel. Ratchet or free-running operation.
3. High quality special PP material durable construction, lightweight and corrosion resistant design.
4. Suplied with wall/ceiling mounting brackets.

Installation:

1. Place bracket on a flat mounting surface. With a pencil trace bracket mounting hose onto surface
Use a leveling device to ensure that the bracket will be level once fastened.

MOUNTING OPTIONS:

Mounting to wall
Recommended height(5 ft. to 8 ft.)

Mounting overhead
Recommended ceiling height (8 ft. to 10 ft.)

2. Place Plastic Wsahers (3) over mounting bracket posts located at the back of Reel (1) (Fig.1)
3. Position Mounting Bracket (2) so that the pivot holes fit over the posts
4. Place Metal Washer (4) onto posts.
5. Fasten Reel to Mounting Bracket by threading the Bolts (5) into the posts.

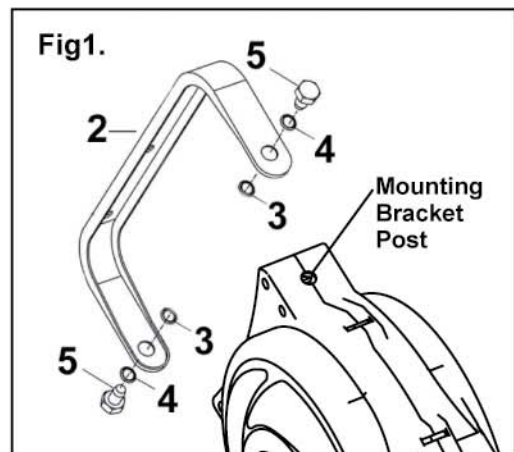
CAUTION:

Do not pull hoses completely out from the reel.

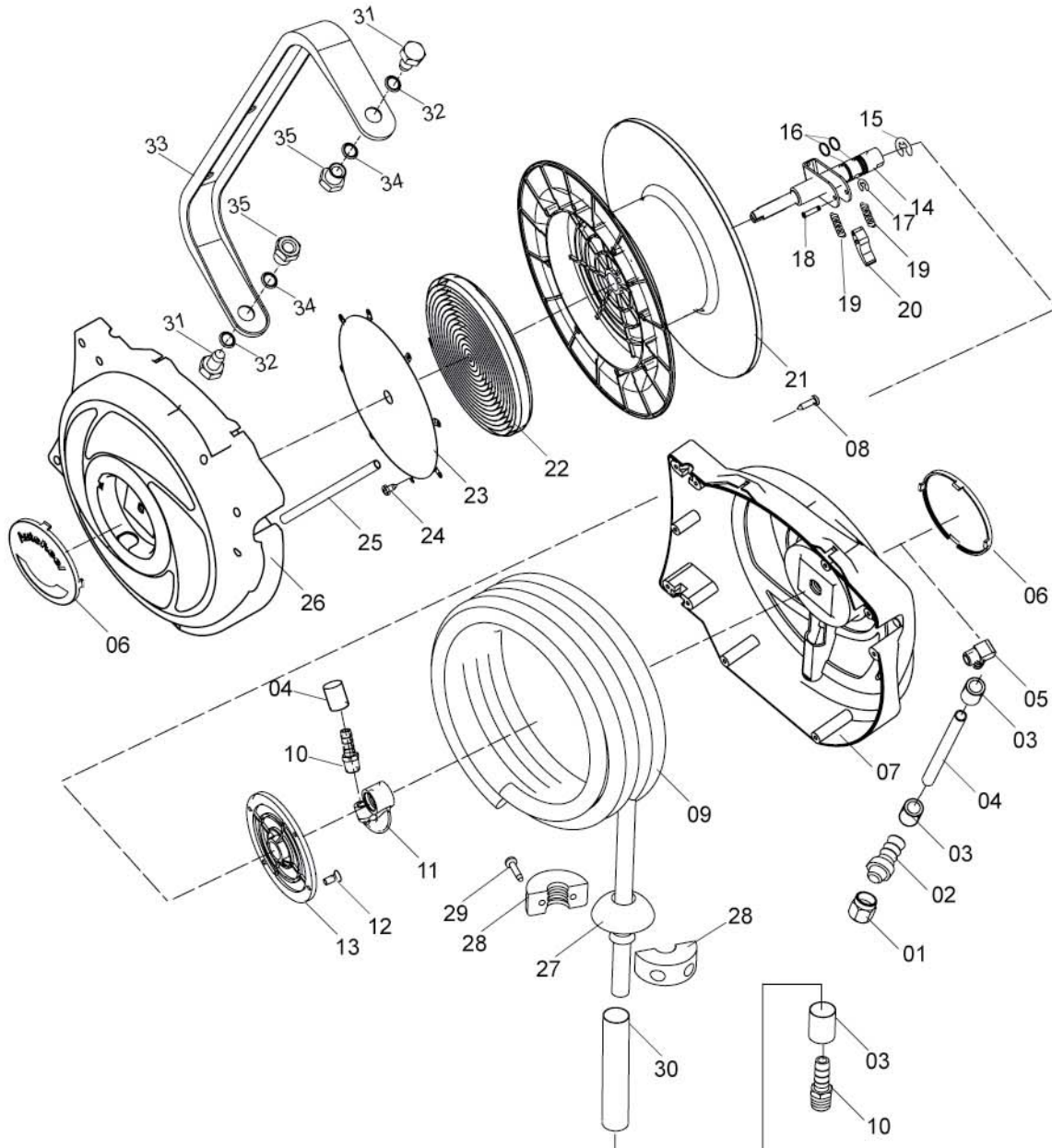
Do retract hoses back onto the reel by section to protect the Drive Spring.

Warning:

1. Do not exceed 300psi working pressure.
2. Do not kink, twist, knot or abrade hose.
3. Do not wrap hose around body keep hose away from hot surface and/or chemicals.
4. Non-specialists are not allowed to disassemble the reel to avoid possible injury.



EXPLODED VIEW AND SPARE PART LIST



Part No.	Description	Q'ty	Part No.	Description	Q'ty
01	Nut	1	18	Pawl Pin	1
02	Brass Fitting	1	19	Pawl Spring	2
03	Brass Ferrule	4	20	Pawl	1
04	Lead-in Hose	1	21	Reel Drum	1
05	Brass Elbow	1	22	Drive Spring	1
06	Side Plate	2	23	Cover, Drive Spring	1
07	Reel Housing, Right	1	24	Screw	8
08	Screw, Housing	8	25	Brass tube	1
09	Air Hose	1	26	Reel Housing, Left	1
10	Brass Fitting	2	27	Hose Stopper	1
11	Brass Connector	1	28	Lock Piece	2
12	Screw, Cover Plate	4	29	Screw, Hose Stopper	2
13	Cover Plate	1	30	Bend Restrictor	1
14	Rotary Axle	1	31	Lock Screw	2
15	E-Ring	1	32	Iron Washer	2
16	O-Ring	2	33	Mounting Bracket	1
17	E-Ring	1	34	Plastic Washer	2
			35	Swivel Joint-Female	2